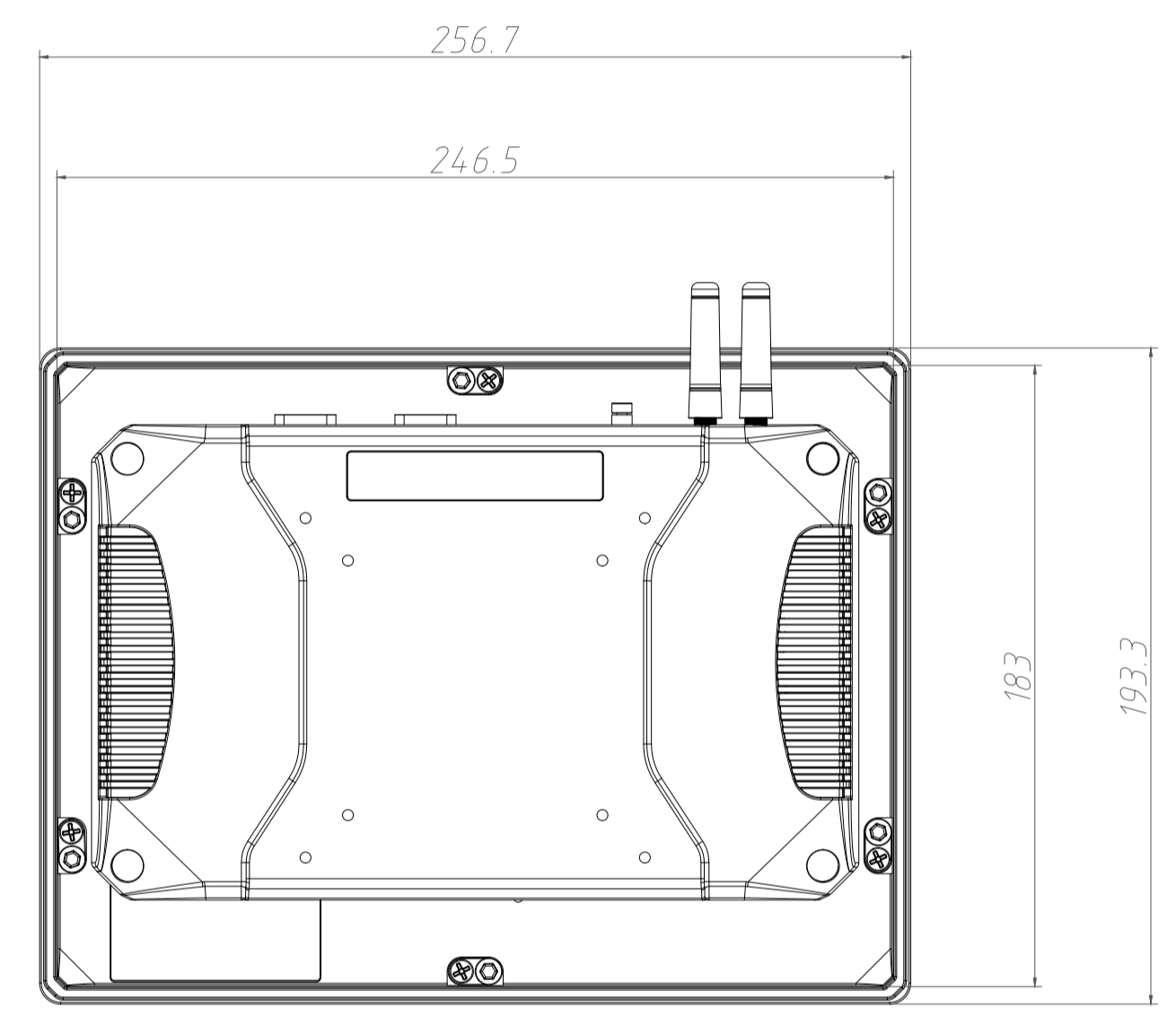
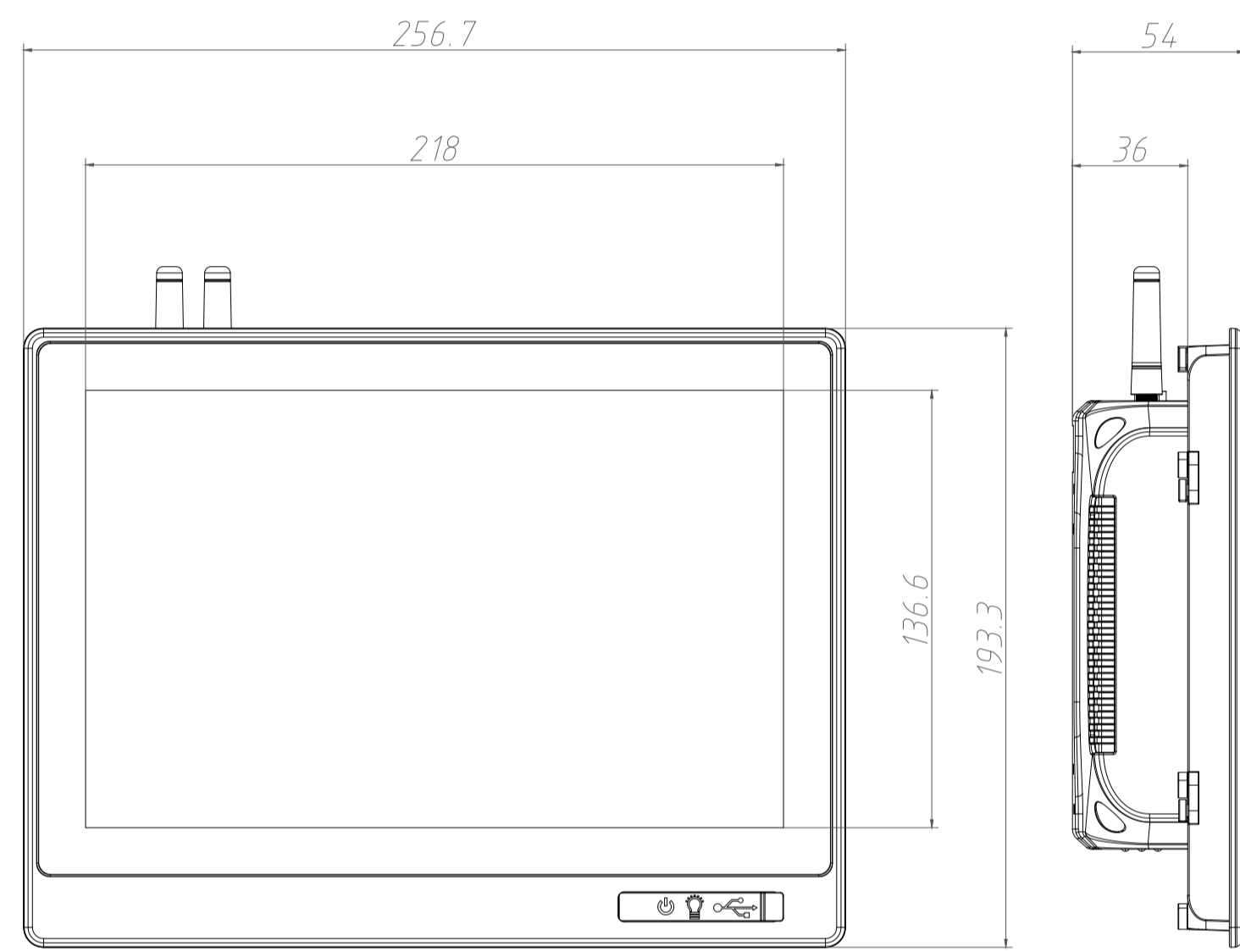
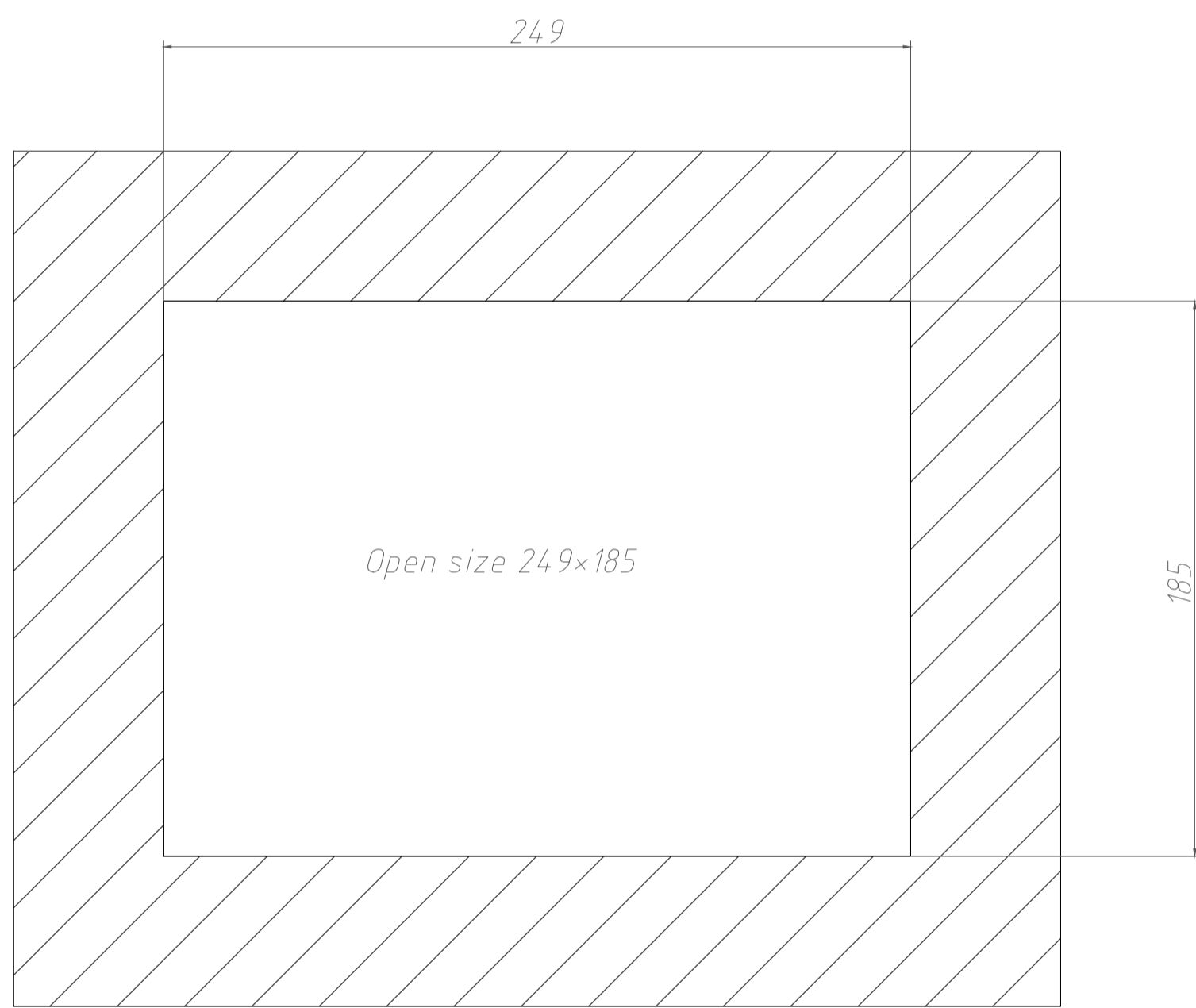
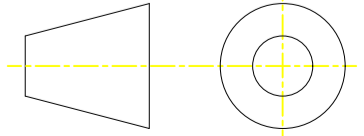


Rev.	Sym.	Q'TY	ICN/ECN NO	Changed by	Date
V1.0			the first release		

COMPANY CONFIDENTIAL



<b>PANELMATE</b> Creative HMI Solution First angle system 	Design		Project Name :	Part Name	
	Check			Part No	
Approve			Material	See Notes	Size: A0
			Process	See Notes	Unit: mm
					Scale: 1:1
					Sheet: 1 of 1